

**icanCLAVE**<sup>®</sup>

Focus On Autoclave



*Rapid Steam  
Sterilizer*

Icanclave Model F03

B<sub>class</sub>

## About ICANCLAVE F03

The F series is currently the fastest steam sterilizer in ICANCLAVE family, especially for the sterilization of unwrapped instruments, which greatly improves the turnover rate of surgical instruments and the convenience of small operations such as in dentistry, cosmetology and ophthalmology.

ICANCLAVE F has a 4.7-inch touch screen and a friendly interface design. All function information, operation progress, sterilization status and various primary and advanced setting can be completed on one screen like a mobile phone.

Quick S 134  
(For Unwrapped)

8min

Standard B 134  
(For Wrapped)

15min

Soft B 134  
(For Wrapped)

30min



### Super Fast

Utilisation of an intelligent systems and high performance components (such as instantaneous steam generator and high efficient vacuum pump ), which provide a super fast sterilization cycle.



### Multi protection

Utilizers mechanical and electronic safety mechanisms for pressure & temperature overload protection and safety door locking system.



### Data export

Standard equipped with an internal memory able to store 10000+ cycles, and the cycle reports can be automatically saved via the USB driver.



### Reliability and safety

Full compliance with the European sterilizer standard and certified quality. Ensure a completed safety sterilization result.



### For any load type

Class B steam sterilizer can be used steriize any load, such as the instruments of hollow, porous or solid.



### Descale

Smart descale cycle included, which can automatically clean the pipline together with descale powder or liquid.



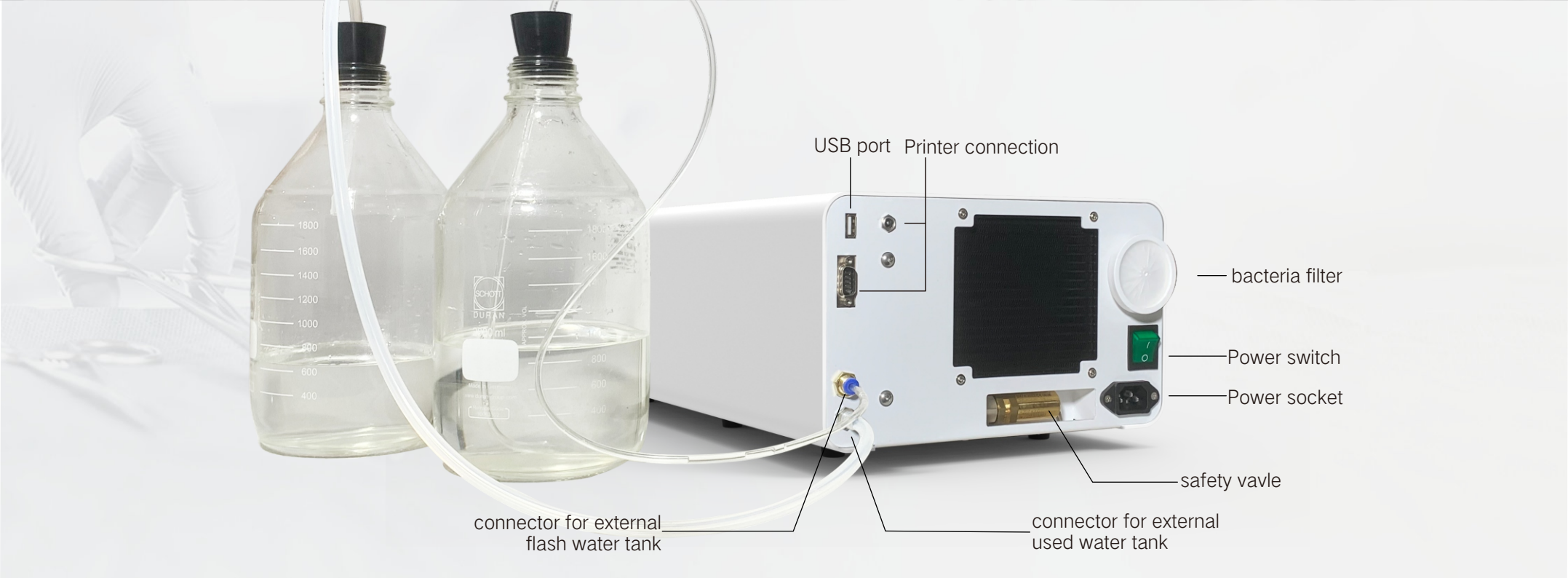
Handle

iCanCLAVE

Flash Steam Sterilizer  
20.0 °C  
0.050V

4.3" color display screen

Aluminium Tray



USB port Printer connection

bacteria filter

Power switch

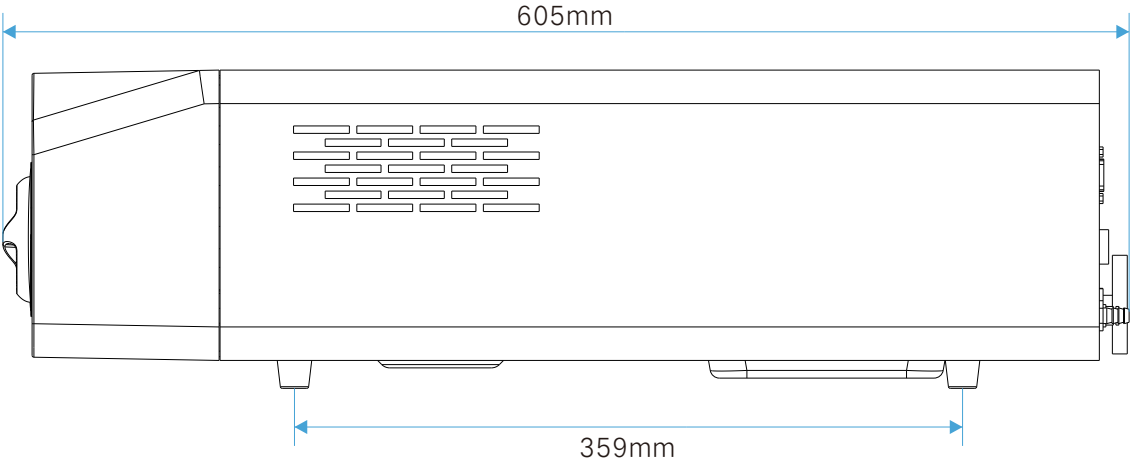
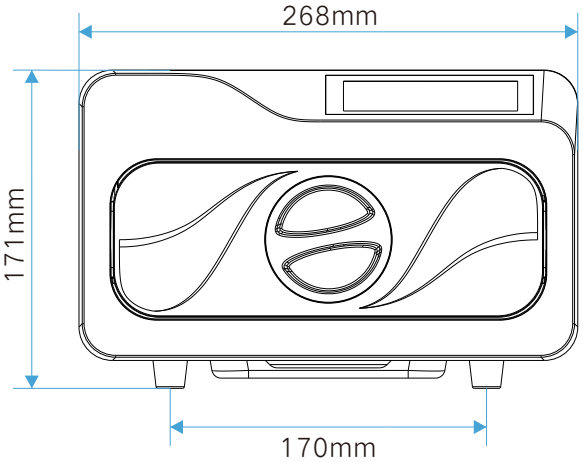
Power socket

safety valve

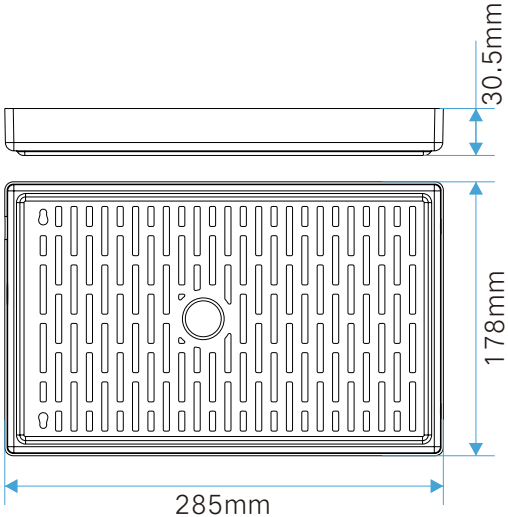
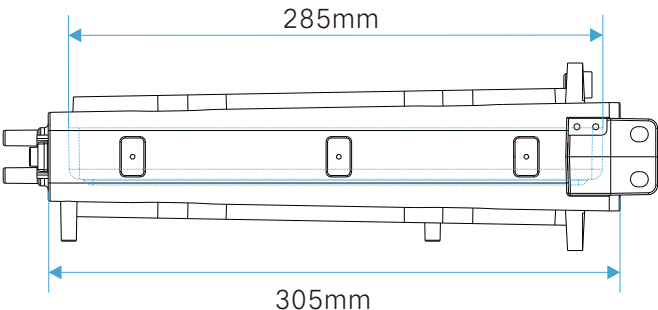
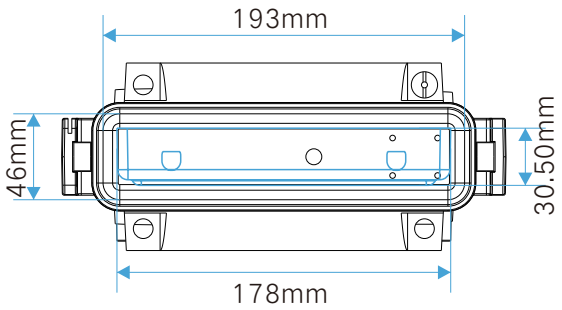
connector for external  
flash water tank

connector for external  
used water tank

# Overall Dimension

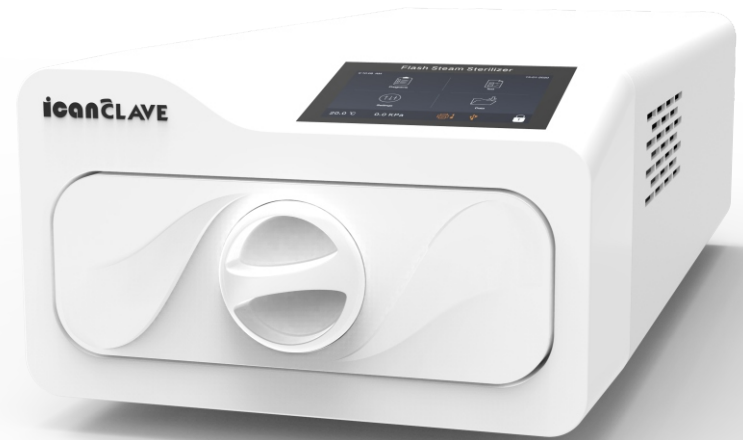


# Rack & Trays Dimension



# Technical parameters

Order Code	Model	Rated Power	Chamber Size
F03	STE-3-F	2300W	292x45x192mm



## Sterilization Cycles

Program	Temp./Pressure	Steri. Time	Suitable For	F03
Quick	134°C/210Kpa	3.5min*	unwrapped solid instruments, unwrapped simple hollow instruments.	Cycle Time* 7~11min Drying Time* 1.5min Load(max) 1kg
Standard B	134°C/210Kpa	4min*	Mixed load, Single wrapped solid instruments, Single hollow instruments.	Cycle Time* 15~18min Drying Time* 5min Load(max) 1kg
Soft B	121°C/110Kpa	20min*	Mixed load, Single wrapped solid instruments, Single hollow instruments.	Cycle Time* 25~30min Drying Time* 6min Load(max) 1kg
Prion	134°C/210Kpa	18min*	Multiple wrapped instruments, Textiles, danger of infection instruments.	Cycle Time* 25~30min Drying Time* 5min Load(max) 1kg Load Textile(max) 0.5kg

\*In addition to the above sterilization procedures, there are three tests: B&D test, Helix test and Vacuum test.

\*The cycle time is based on the load and with/without pre-heating.

\*Drying time can be adjusted.

